

Fire Hose Reel Equipment

Fire Hose Reel



SIRIM
CERTIFIED TO BS EN 671-1:
1995
Certification No.: PS005704

BRITISH STANDARDS
INSTITUTION APPROVED
FIRE HOSE REELS



CERTIFIED TO BS EN 671
LICENCE NO. KM 51857



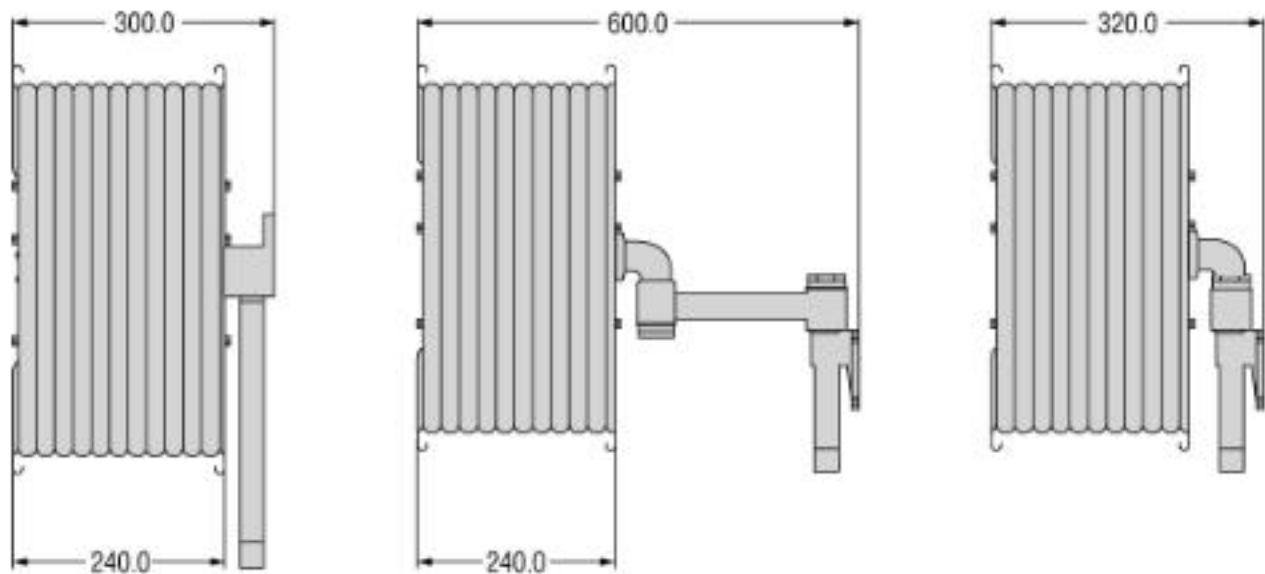
SINGAPORE APPROVAL
TO BS EN 671-1



SRI hose reels are manufactured and approved to British Standard (European standard) BS EN 671-1 and Australian Standard AS 1221. Compliance to the stringent test required by the above standards guarantees excellent durability and performance. Hose reel side plates are protected with a polyester powder coating that complies to salt spray test requirement which is specified in ISO 9227 for 240 hours. SRI hose reels have been designed to provide a flowrate of 27LPM for 3/4" and 35LPM for 1" at 0.2Mpa.

SRI provides complete range of hose reels which include manual, automatic, swing and fixed type in 1" or 3/4" diameter. Automatic hose reels are available with an internal valve built into the hose reel unit. The internal valve will open upon the rotation of the hose reel as the hose is pulled out. The valve will open after three revolutions of the hose reel and will close when the hose is wound back to the reel.

SRI hose reels are available with a quick installation mounting bracket which allows installation to be completed by one person in 10 minutes. All hose reel installation and maintenance is in accordance with BS 5306 Part 1. SRI hose reels are approved and distributed in the following countries: UAE, Kuwait, Singapore, Germany, UK, Qatar, Thailand, Hong Kong, Australia, New Zealand, Egypt and Chile.



Maximum Working Pressure : 15 bar (217 psi)

Test Pressure : 20 bar (290 psi)

AUTOMATIC FIXED AND SWING FIRE HOSE REEL			
Swing Type Code No.	Fixed Type Code No.	Drum Capacity	Side Plate Diameter
HRS060-MS-019-RD	HRS055-MS-019-RD	¾"Øx30m Hose	483 (19")
HRS060-MS-022-RD	HRS055-MS-022-RD	¾"Øx30m Hose	558 (22")
HRS061-MS-019-RD	HRS056-MS-019-RD	1"Øx30m Hose	483 (19")
HRS061-MS-022-RD	HRS056-MS-022-RD	1"Øx30m Hose	558 (22")

MANUAL SWING AND FIXED FIRE HOSE REEL			
Swing Type Code No.	Fixed Type Code No.	Drum Capacity	Side Plate Diameter
* HRS037-GI-019-RD	* HRS035-GI-019-RD	¾"Øx36m Hose	483 (19")
HRS037-MS-019-RD	HRS035-MS-022-RD	¾"Øx36m Hose	483 (19")
HRS037-MS-022-RD	HRS035-MS-022-RD	¾"Øx30m Hose	558 (22")
HRS038-MS-019-RD	HRS036-MS-019-RD	1"Øx30m Hose	483 (19")
HRS038-MS-022-RD	HRS036-MS-022-RD	1"Øx30m Hose	558 (22")
⌘ HRS038-SS-022-RD		1"Øx30m Hose	558 (22")
⌘ HRS038-SS-019-RD		1"Øx30m Hose	483 (19")

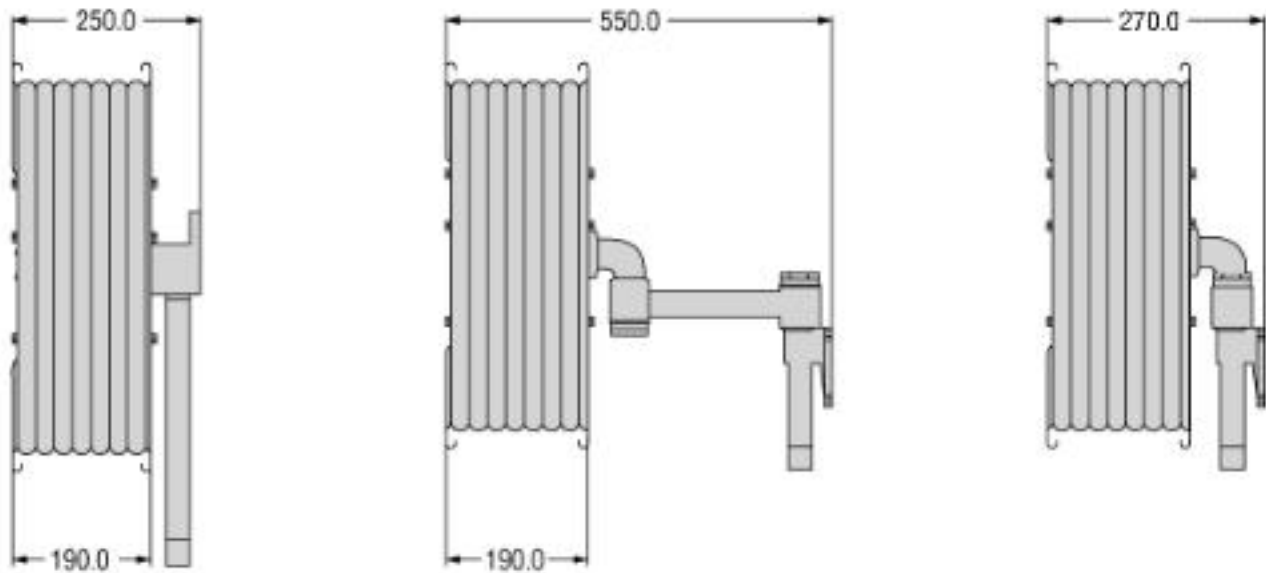
* AS approval model to AS 1221 LIC 1355

⌘ SIRIM approval model to BS EN 671-1

Model HRS038-SS-022-RD is complete with stainless steel water way pipe with lifetime guarantee against internal water corrosion.

U.K. Fire Hose Reel

All internal waterway manufactured from corrosion resistant material :
Stainless steel, brass, aluminium and nylon. Side plate diameter 558mm (22"), maximum
hose length 30m.



Code No.	Description
HRS032-SS-022-RD	3/4" Fixed Manual Hose Reel
HRS028-SS-022-RD	3/4" Fixed Automatic Hose Reel
HRS034-SS-022-RD	3/4" Swing Manual Hose Reel
HRS030-SS-022-RD	3/4" Swing Automatic Hose Reel
HRS031-SS-022-RD	1" Fixed Manual Hose Reel
HRS027-SS-022-RD	1" Fixed Automatic Hose Reel
HRS033-SS-022-RD	1" Swing Manual Hose Reel
HRS029-SS-022-RD	1" Swing Automatic Hose Reel

German Hose Reel



The new German hose reel swing and fixed type are manufactured for the German, Austrian, Netherland, Belgium, U.K. and Switzerland market. This hose reel has been tested by a European laboratory to comply to European Standard EN 671-1. The diameter for the hose reel drum is available in 558 mm and 600 mm and the hose reel fits into a cabinet with a depth of 250 mm.

Code No.	Description	Capacity
HRS072-MS-600-RD	600mm x 1" Swing type	1" x 35m hose
HRS072-MS-M22-RD	558mm x 1" Swing type	1" x 30m hose
HRS072-MS-022-RD	558mm x ¾" Fixed type	¾" x 25m hose

German Design, German Standard

Hose (Hose Reel)



SIRIM

CERTIFIED TO BS EN 671-1: 1995

Certification No. : PS005704



AUSTRALIAN
STANDARD

AS1221 LIC1355

BRITISH STANDARDS
INSTITUTION APPROVED
FIRE HOSE REELS



CERTIFIED TO BS EN 671

LICENCE NO. KM 51857



SINGAPORE APPROVAL
TO BS EN 671-1

SRI manufactures fire hose reel hose which has been tested by European, Australian and Malaysian laboratories to European Standard EN 694 and Australian Standard AS 1221.

Available in ¾" and 1".

Standard coil length 30m, 36m or 100m.

Specification :-

Working Pressure : 220Psi (15 Bar)

Minimum Burst Pressure : 696Psi (48 Bar)

Test Pressure : 250Psi

Code No.	Size	Colour
HRS041-30-25-BK	1" (25mm) x 30m	Black
HRS041-30-25-RD	1" (25mm) x 30m	Red
HRS041-30-20-BK	¾" (19mm) x 30m	Black
HRS041-30-20-RD	¾" (19mm) x 30m	Red

Australian Standard Fixed And Swing Type Fire Hose Reel



Test Pressure 2000KPa Working pressure 1500KPa Nominal hose diameter 19mm
 Minimum Discharge rate of 0.45L/S 220KPa Installation and commissioning in accordance to AS2441.

Stainless steel hosereel available

Approved by Quality Assurance Service (AUSTRALIA)

Code No.	Description	Carton Size
HRS035-GI-019-RD	¾" x 36m Fixed Hose reel	330 x 500 x 610mm
HRS035-GI-019-RD	¾" x 36m Swing Hose reel	360 x 510 x 620mm

Continuous Flow Hose Reel



The SRI continuous flow hose reel is a one man operation which allows immediate and continuous flow of water at all times during deployment of hose. The unit is complete with heavy duty hose, quick opening ball valve, rewinding handle and nozzle. It is available in sizes of ¾", 1" and 1-1/2".

Working pressure :-
15 bar for ¾" and 1"
7 bar for 1-1/2"

Code No.	Description
HRS059-LA-020-SV	¾" - Hose reel
HRS059-LA-025-SV	1" - Hose reel
HRS059-LA-038-SV	1-1/2" - Hose reel
HRS015-LA-020-SV	¾" - Hose reel on trolley
HRS015-LA-025-SV	1" - Hose reel on trolley
HRS015-LA-038-SV	1-1/2" - Hose reel on trolley
Material	Aluminium Alloy
Finishing	Natural

Application: Industrial plant & washdown stations.

Note: Standard length of hose is 30m

Hose Reel Accessories

Hose Guide

HRS052-PS-STD-RD**HRS052-MS-STD-ZP****HRS052-LA-STD-NA**

Hose guide is used to ease the withdrawal of hose from fixed hose reels.

code No.	Description	Material
HRS052-PS-STD-RD	Wall mounting	Red Plastic
HRS052-MA-STD-ZP	Wall mounting	Steel / Nylon Roller
HRS052-LA-STD-NA	Mounting at inlet pipe	Steel / Nylon Roller

Pressure Reducing Valve

Pressure reducing valve is required for the hose reel system to reduce the pressure at the inlet of the hose reel to the nominal working pressure.

Code No.	Size	Working Pressure	Material
HRS063-GM-025-RD	25mm (1")	Max. inlet pressure up to 20 bar	Bronze
HRS063-GM-050-RD	50mm (2")	Outlet pressure between 1 to 4 bar	Bronze

Hose Reel Wall Bracket



The wall bracket allows the hose reel swing or fixed to be easily installed within a short time. The wall bracket is first fixed on to the wall or mounting structure and then the hose reel is slotted into the bracket. The wall bracket also allows minor adjustments of the hose reel height thereby easing the connection of the inlet pipe. The wall bracket allows the hose reel to be installed by one person within a few minutes.

Code No.	Description	Material
HRP-057-MS	Swing hose reel	Mild Steel
HRP-060-MS	Fixed hose reel	Mild Steel

Stop Valve With Nozzle Locking Device



As required by British Standard, stop valves should be installed at the inlet of all hose reels and it should have a feature to ensure that the nozzle can only be released after opening the valve. SRI has provided an ingenious solution with a quick opening ball valve and nozzle locking device.



WaterMark
Spec 012 Lic W603
Standards Australia

Code No.	Description	Material	Working Pressure
HRS-108-GM-025-NA	25mm (1") ball valve with nozzle locking device	Brass	250 psi
HRS-107-GM-025-NA	25mm (1") ball valve	Brass	250 psi

Nozzle



HRS032-PS-020-CH
HRS032-PS-025-CH



HRS032-PS-020-RD
HRS032-PS-025-RD



HRS057-PS-020-RD
HRS057-PS-025-RD



HRS050-GM-020-CH
HRS050-GM-025-CH



HRS039-GM-020-NA
HRS039-GM-025-NA



HRS065-GM-020-RD
HRS065-GM-025-RD

SRI hose reel nozzles are designed, tested and approved to meet European Standard EN671-1 and Australian Standard AS 1221.

Nylon and ABS material complies to ageing test in accordance to ISO4892-2.2.

Throw range position at 0.6M 30° inclination, in accordance to EN671-1 Clause 10.4

Flowrate meets the equivalent nozzle diameter of 6mm in accordance to EN671-1.

Code No.	Setting	Material	Finishing	Inlet Size	Flowrate @ 30Psi (2.0 Bar)	Throwrange @ 30Psi
HRS065-GM-020-RD	Jet/Spray	Nylon/Brass	Red	¾" (19mm)	27L/Min (Jet)	11.5M
HRS065-GM-025-RD	Jet/Spray	Nylon/Brass	Red	1" (25mm)	35L/Min (Jet)	11.5M
HRS057-PS-020-RD	Jet/Spray	Nylon	Red	¾" (19mm)	27L/Min (Jet)	11.0M
HRS057-PS-025-RD	Jet/Spray	Nylon	Red	1" (25mm)	35L/Min (Jet)	11.0M
HRS032-PS-020-RD	Jet/Spray	ABS/Brass	Red	¾" (19mm)	27L/Min (Jet)	11.0M
HRS032-PS-025-RD	Jet/Spray	ABS/Brass	Red	1" (25mm)	35L/Min (Jet)	11.0M
HRS032-PS-020CH	Jet/Spray	ABS/Brass	Chrome	¾" (19mm)	27L/Min (Jet)	11.0M

HRS032-PS-025-CH	Jet/Spray	ABS/ Brass	Chrome	1" (25mm)	35L/Min (Jet)	11.0M
HRS039-GM-020-NA	Jet/Spray	Brass	Natural	¾" (19mm)	27L/Min (Jet)	11.0M
HRS039-GM-025-NA	Jet/Spray	Brass	Natural	1" (25mm)	35L/Min (Jet)	11.0M
HRS039-GM-020-CH	Jet/Spray	Brass	Chrome	¾" (19mm)	27L/Min (Jet)	11.0M
HRS039-GM-025-CH	Jet/Spray	Brass	Chrome	1" (25mm)	32L/Min (Jet)	11.0M
HRS050-GM-020-CH	Jet	Brass	Chrome	¾" (19mm)	27L/Min	11.0M
HRS050-GM-020-CH	Jet	Brass	Chrome	1" (25mm)	32L/Min	11.0M