



May 1, 2004

DN-6710 • J-111

SpectrAlert® SP200 Series Dual-Voltage Transformer Speakers

Section: Audio/Visual Devices

GENERAL

System Sensor's **SP200 Series Speakers** combine performance, functionality, and flexibility in a line of dual-voltage evacuation speakers.

Performance — With its low total harmonic distortion, the SpectrAlert® SP200 Series offers fidelity-quality sound output. This provides greater assurance that the SP200's output closely matches its source signal. This fidelity sound quality is achieved at any of the SP200's four field-selectable power taps: 1/4, 1/2, 1, and 2 watts.

Functionality — Installation ease and functionality are achieved through the SP200's compact design, which allows flush-mounting to a 4" x 4" x 2-1/8" (101.6 x 101.6 x 53.975 mm) backbox without an extension ring.

Flexibility — The SP200 is designed for a variety of application requirements. Offered with round and square grilles, the SP200 can be mounted to either the wall or the ceiling. White and red grilles are available to meet specific aesthetic requirements.

FEATURES

- Fidelity sound quality.
- Low-profile design; fits standard 4" x 4" x 2-1/8" (101.6 x 101.6 x 53.975 mm) backbox without extension ring.
- Four field-selectable power taps: easy to select and easy to change (1/4 through 2 watts).
- Dual voltage settings: 25.0 and 70.7 volts.
- Ceiling- and wall-mount applications.
- Grilles available in white and red.
- Color-matched mounting screws.

SPECIFICATIONS

MECHANICAL

Input terminals: 12 to 18 AWG (3.25 to 0.75 mm²).

Speaker size: 4" (101.6 mm).

Grille size: Round: 7-3/8" (187.325 mm). Square: 5" (127 mm).

ELECTRICAL

Voltage input: 25.0 or 70.7 volts (nominal).

Frequency range: 400 – 4,000 Hz. **NOTE:** The SP200 Series is UL Listed from 400 to 4,000 Hz, but will provide an output from 100 to 10,000 Hz.

Operating temperature range: 32° to 120°F (0° to 49°C).

Power: 1/4, 1/2, 1, and 2 watts; field selectable.

SpectrAlert® is a registered trademark of System Sensor.



ME A
353-98-E



California
State Fire
Marshal
7320-1209:186



6710pho1.jpg

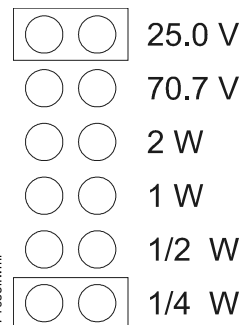
SOUND OUTPUT

6710snd.tbl

dBA @ 10 FEET	2 W	1 W	1/2 W	1/4 W
UL Reverberant	84	81	78	75
Anechoic	87	84	81	78

VOLTAGE AND POWER SELECTION

EXAMPLE AT RIGHT: Selection of 1/4 watt input when a 25.0 volt (nominal) amplifier is being used.



6710sel.wmf

NOTIFIER® is a Honeywell company.

This document is not intended to be used for installation purposes. We try to keep our product information up-to-date and accurate. We cannot cover all specific applications or anticipate all requirements. All specifications are subject to change without notice. For more information, contact NOTIFIER. Phone: (203) 484-7161 FAX: (203) 484-7118



12 Clintonville Road, Northford, Connecticut 06472



ENGINEERING & MANUFACTURING
QUALITY SYSTEMS

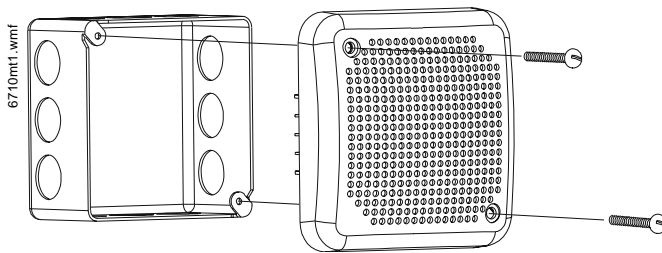
ENGINEERS'/ARCHITECTS' SPECIFICATIONS

Speaker shall be a System Sensor model _____ dual-voltage transformer speaker capable of operating at 25.0 or 70.7 nominal V_{RMS} . Speaker shall be Listed to Underwriters Laboratories Standard 1480 for fire protective signaling systems. Speaker shall have a frequency range of 400 to 4,000 Hz and shall have an operating temperature between 32°F and 120°F (0°C and 49°C). Speaker shall have power taps which are selected by shunts.

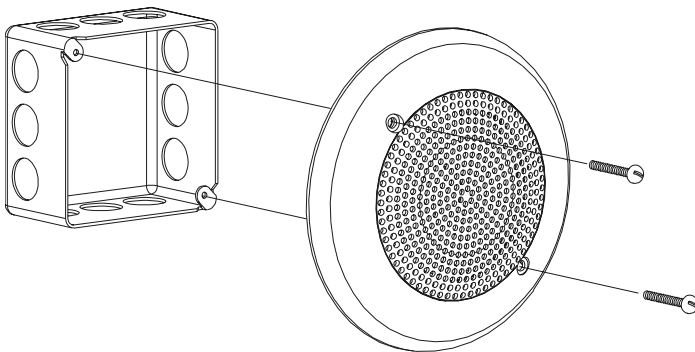
PRODUCT LINE INFORMATION

- SP200W** Round, white, ceiling- or wall-mount applications, 7-3/8" (187.325 mm) grille, 1/4 – 2 watt power, speaker voltage 25.0/70.7 V_{RMS} .
- SP201W** Square, white, wall-mount applications, 5" (127 mm) grille, 1/4 – 2 watt power, speaker voltage 25.0/70.7 V_{RMS} .
- SP201R** Square, red, wall-mount applications, 5" (127 mm) grille, 1/4 – 2 watt power, speaker voltage 25.0/70.7 V_{RMS} .

MOUNTING EXAMPLES



Both styles mount onto a standard backbox, 4" x 4" x 2-1/8" (101.6 x 101.6 x 53.975 mm), without an extension ring, as shown left and below.



6710mt2.wmf